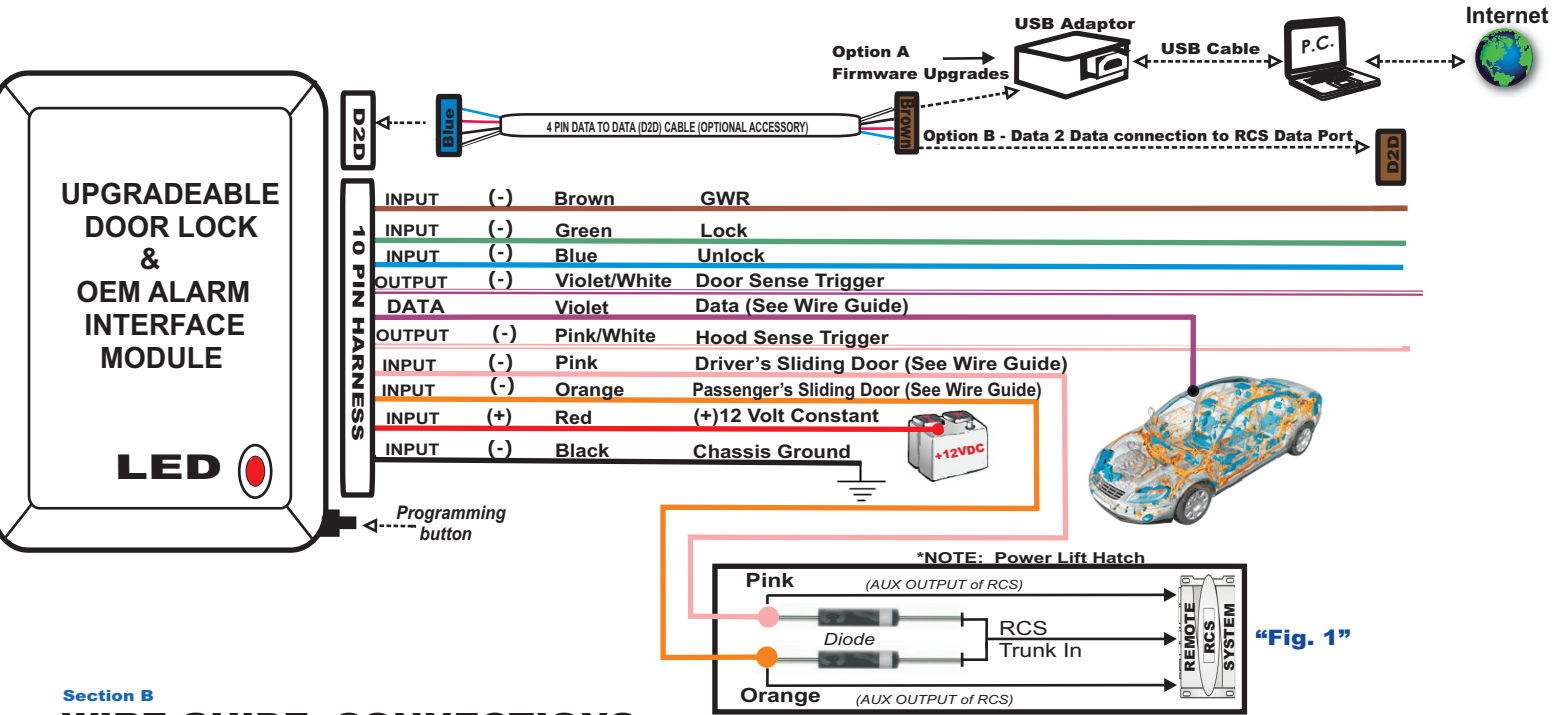


Description: Door Lock and Alarm Interface (NO KEY REQUIRED)

Functions: Lock/Unlock, Driver's Priority Unlock, Trunk/Rear Hatch, OEM Security Arm/Disarm, Sliding Doors RT & LT, Door Sense Trigger Output, Hood Trigger Output (-)

Downloadable Firmware for Platform #01: AMDL, FODL, GMDL6, GMDL7, HODL4, HYDL, KIADL, KIADL2, TOYDL, VWDL, VWDL2
WARNING: Before beginning your install go to www.INTELLIKITS.com and be sure to print the LATEST corresponding installation manual for the firmware that is flashed to the platform you are using.

Section A See Wire Guide for detailed information regarding wire connections & functionality



Section B
WIRE GUIDE: CONNECTIONS

10 PIN HARNESS → D2D = Optional use of 4 Pin Data to Data (D2D) cable will replace the analogue wire (w2w) connection

PIN#	WIRE COLOR	D2D w2w	I/O STATUS	(-) / (+)	Connect Location	SPECIFIC WIRE CONNECTION LOCATION	ACTIVATION and/or FUNCTIONALITY
1	Brown	D2D w2w	Input	(-)	RCS	Ground When Running Output of Remote Starter	OEM Security Arm/Disarm
2	Green	D2D w2w	Input	(-)	RCS	Connect to (-) Lock Output wire of RCS	Lock All Doors
3	Blue	D2D w2w	Input	(-)	RCS	Connect to (-) Unlock Output wire of RCS	Unlocks All Doors (See User Setting, MODE1)
4	Violet/White	D2D w2w	Output	(-)	RCS	Connect to (-) Door Trigger Input wire of RCS	Detects Door status (open/closed) via data bus then converts to an analogue output (-)
5	Violet	w2w	Data		Vehicle	Connect to vehicle data wire located above fuse panel coming in from driver's door (See Vehicle Wiring Reference Chart for wire colors)	Data Commands from Module to Vehicle
6	Pink/White	D2D w2w	Output	(-)	RCS	Connect to (-) Hood Trigger Input wire of RCS	Detects Hood status (open/closed) via data bus then converts to an analogue output (-)
7	Pink	D2D w2w	Input	(-)	RCS	AUX Output for Driver's Side Sliding Door	1 sec (-) Pulse Driver's Side Door Open/Close
8	Orange	D2D w2w	Input	(-)	RCS	AUX Output for Passenger's Side Sliding Door Trunk or AUX Output	1 sec (-) Pulse Passenger's Side Door Open/Close 3 sec (-) Pulse Releases Trunk/Rear Hatch OR 1 sec (-) Pulse simultaneously on Orange & Pink Releases Trunk/Rear Hatch (See Fig.1)
9	Red	D2D w2w	Input	(+)	Vehicle	Constant (+) 12 Volt Source	Power Source
10	Black	D2D w2w	Input	(-)	Vehicle	Chassis Ground	Ground Source

Legend RCS = Remote Control System N/C = No Connection N/A = Not Applicable W2W= analogue wire to wire D2D= data 2 data

DATA TO DATA PORT (D2D): Blue connector of D2D Cable plugs into the upgradeable vehicle interface module.
OPTION A: - D2D Port used to connect to USB Bootloader adaptor & computer to download & flash vehicle interface firmware.
OPTION B: - D2D Port used to connect to the data port of a remote control system equipped with ClearCode Vehicle Interface Protocol.
 Remote control systems designed with ClearCode VIP can securely communicate via the D2D cable to transmit & receive data commands which initiate specific vehicle function such as doorlocks & immobilizer override and /or request information from the vehicle such as status of entry points (doors) or ambient temperature, diesel glow plug etc...
 ClearCode VIP represents the doorway to vehicle integration...

This interface kit / Data Bus Interface part has been tested on the listed vehicles. Other vehicles will be added to the select vehicle list upon completion of compatibility testing. Visit website for latest vehicle application guide. **DISCLAIMER:** Under no circumstances shall the manufacturer or the distributors of the bypass kit / data bus interface part(s) be held liable for any consequential damages sustained in connection with the part(s) installation. The manufacturer and its distributors will not, nor will they authorize any representative or any other individual to assume obligation or liability in relation to the interface kit / data bus interface part(s) other than its replacement. N.B.: Under no circumstances shall the manufacturer and distributors of this product be liable for consequential damages sustained in connection with this product neither assumes nor authorizes any representative or other person to assume for it any obligation or liability other than the replacement of this product only.

Platform # 01

Firmware: HODL4

Installation
Manual (2\2 Pages)

Description: Door Lock and Alarm Interface (NO KEY REQUIRED)

Functions: Lock/Unlock, Driver's Priority Unlock, Trunk/Rear Hatch, OEM Security Arm/Disarm, Sliding Doors RT & LT, Door Sense Trigger Output, Hood Trigger Output (-)

Section C

VEHICLE WIRING REFERENCE CHART

VEHICLE	DATA WIRE	LOCATION
Accord 2006-03	Brown/Red	PIN-4, Bottom row of 21-PIN, Green plug, DKP above fuse panel coming in from driver's door
Accord Hybrid 2006-05	Dark Green	PIN-4, Bottom row of 21-PIN, Green plug, DKP above fuse panel coming in from driver's door
Odyssey 2006-05	Dark Green/Red	PIN-4, Bottom row of 21-PIN, Green plug, DKP above fuse panel coming in from driver's door
Ridgeline 2006	Brown/Black	PIN-4, Bottom row of 21-PIN, Green plug, DKP above fuse panel coming in from driver's door
Acura TL 2006-04	Brown/Black	PIN-4, Bottom row of 21-PIN, Green plug, DKP above fuse panel coming in from driver's door
Acura TSX 2006-03	Brown/Red	PIN-4, Bottom row of 21-PIN, Green plug, DKP above fuse panel coming in from driver's door

Section D

VEHICLE PROGRAMMING:

- 1) Once the module has been properly connected, LED should come **ON**.
- 2) Turn key to **IGNITION** position, LED goes **OFF**. Module is now programmed.

Section E

USER SETTINGS - OPTIONAL PROGRAMMING:

NOTE: When using D2D, Driver's Priority is not available.

USER MODES are identified by a slow LED flash pattern. 1 slow flash=Mode1, 2 slow flashes=Mode 2 etc.

- 1) Key "**OFF**" position, **press** and **hold** program button for 2 seconds, LED will flash rapidly for 2 seconds. Release button, LED will identify the **MODE** selection with a slow flash pattern (1- 8 slow flashes) and then will identify **OPTION** selection with a fast flash pattern. (1 or 2 fast flashes)
- 2) To change **MODE**, **push button** one time, LED will confirm **MODE** with slow flash pattern (1-8 slow flashes).
- 3) To change **OPTION SELECTION** within a **MODE**, **press LOCK or UNLOCK** button on the aftermarket remote control system. LED will identify option selection with either one or two fast flashes.
- 4) To save and exit programming, **press** and **hold button** until LED flashes one time rapidly, showing end of **OPTION** programming.

* = **Default**

MODE 1 =	*OPTION 1: 1st Pulse Unlock All Doors (Default)	OPTION 2: 1st Pulse Unlock Driver Door, 2nd Pulse Unlock All Doors
MODE 8 =	*OPTION 1: No reset (Default)	OPTION 2: Complete reset of option and module