

Platform #02

Firmware: SUBDL

Installation
Manual (1½ Pages)

Description: Subaru Doorlock Alarm Interface (NO KEY REQUIRED)

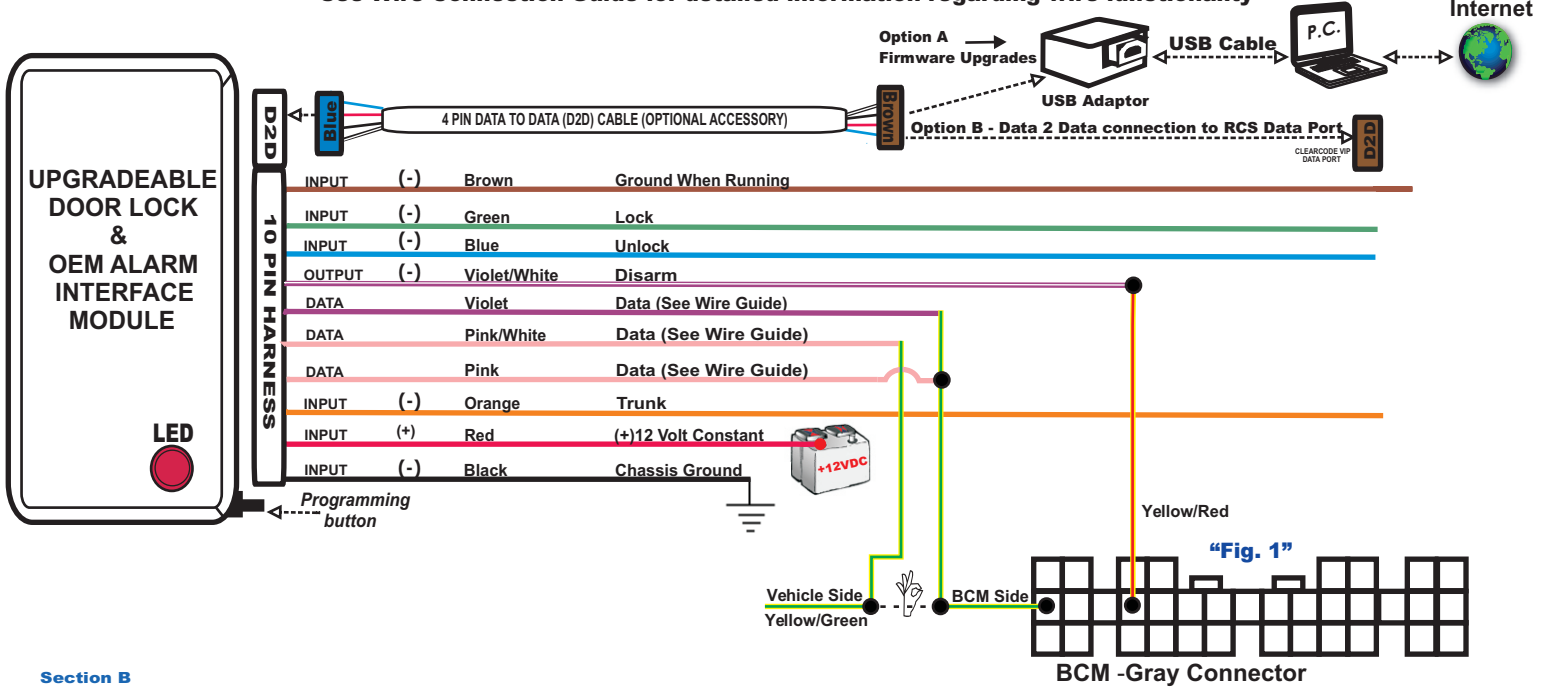
Functions: Lock/Unlock, Trunk, OEM Security Arm/Disarm

Downloadable Firmware for Platform #02: HODL, NISSDL, SUBDL

WARNING: Before beginning your install go to www.INTELLIKITS.com and be sure to print the LATEST corresponding installation manual for the firmware that is flashed to the platform you are using.

Section A

See Wire Connection Guide for detailed information regarding wire functionality



Section B

WIRE GUIDE: CONNECTIONS

10 PIN HARNESS → D2D = Optional use of 4 Pin Data to Data (D2D) cable will replace the analogue wire (w2w) connection

PIN#	WIRE COLOR	VEHICLE TYPE	D2D w2w	I/O STATUS	(-)/(+)	Connect Location	SPECIFIC WIRE CONNECTION LOCATION	ACTIVATION and/or FUNCTIONALITY
1	Brown	N/A	D2D w2w	Input	(-)	RCS	Ground When Running output of remote starter	OEM SEcurity Arm/Disarm
2	Green	N/A	D2D w2w	Input	(-)	RCS	Connects to (-) Lock Output wire of RCS	Lock All Doors
3	Blue	N/A	D2D w2w	Input	(-)	RCS	Connects to (-) Unlock Output wire of RCS	Unlocks All Doors
4	Violet/White	N/A	w2w	Output	(-)	Vehicle	Connect to Yellow/Red Disarm Wire of BCM Located on Steering Column	Disarms Factory Alarm
5	Violet	N/A	w2w	Data		Vehicle	Connect to Yellow/Green Vehicle Wire from BCM Side Located on Steering Column (See Fig.1)	Lock/Unlock/Arm/Disarm Via Vehicle Data Wire
6	Pink/White	N/A	w2w	Data		Vehicle	Connect to Yellow/Green Vehicle Wire from BCM Side Located on Steering Column (See Fig.1)	Lock/Unlock/Arm/Disarm Via Vehicle Data Wire
7	Pink	N/A	w2w	Data		Vehicle	Connect to Yellow/Green Wire (BCM Side) (Connect with Violet Wire) Located on Steering Column (See Fig.1)	Lock/Unlock/Arm/Disarm Via Vehicle Data Wire
8	Orange	N/A	D2D w2w	Input	(-)	RCS	Connects to (-) Trunk Release Output wire of RCS	Trunk Release
9	Red	N/A	D2D w2w	Input	(+)	Vehicle	Constant (+) 12 Volt Source	Power Source
10	Black	N/A	D2D w2w	Input	(-)	Vehicle	Chassis Ground	Ground Source

Legend RCS = Remote Control System N/C = No Connection N/A = Not Applicable W2W= analogue wire to wire D2D= data 2 data

DATA to DATA PORT (D2D): Blue connector of D2D Cable plugs into the upgradeable vehicle interface module.

OPTION A: - D2D Port used to connect to USB Bootloader adaptor & computer to download & flash vehicle interface firmware.

OPTION B: - D2D Port used to connect to the data port of a remote control system equipped with ClearCode Vehicle Interface Protocol.

Remote control systems designed with ClearCode VIP can securely communicate via the D2D cable to transmit & receive data commands which initiate specific vehicle function such as doorlocks & immobilizer override and /or request information from the vehicle such as status of entry points (doors) or ambient temperature, diesel glow plug etc... ClearCode VIP represents the doorway to vehicle integration...

Description: Subaru Doorlock Alarm Interface (NO KEY REQUIRED)

Functions: Lock/Unlock, Trunk, OEM Security Arm/Disarm

Section C

VEHICLE PROGRAMMING:

- 1) Once the module has been properly connected, LED should come **ON** for 1 second.
- 2) LED will turn **OFF**. Module is now programmed.

Section D

USER SETTINGS - OPTIONAL PROGRAMMING:

USER MODES are identified by a slow LED flash pattern. 1 slow flash=Mode1, 2 slow flashes=Mode 2 etc.

- 1) Key "**OFF**" position, **press** and **hold** program button for 2 seconds, LED will flash rapidly for 2 seconds. Release button, LED will identify the MODE selection with a slow flash pattern (1- 8 slow flashes) and then will identify OPTION selection with a fast flash pattern. (1 or 2 fast flashes)
- 2) To change **MODE**, **push button** one time, LED will confirm **MODE** with slow flash pattern (1-8 slow flashes).
- 3) To change OPTION SELECTION within a MODE, **press LOCK or UNLOCK** button on the aftermarket remote control system. LED will identify option selection with either one or two fast flashes.
- 4) To save and exit programming, **press** and **hold button** until LED flashes one time rapidly, showing end of OPTION programming.

* = Default

MODE 8 = *OPTION 1: No reset (Default)

OPTION 2: Complete reset of option and module
--