

**Description:** Jeep Door Lock Alarm Interface (NO KEY REQUIRED)

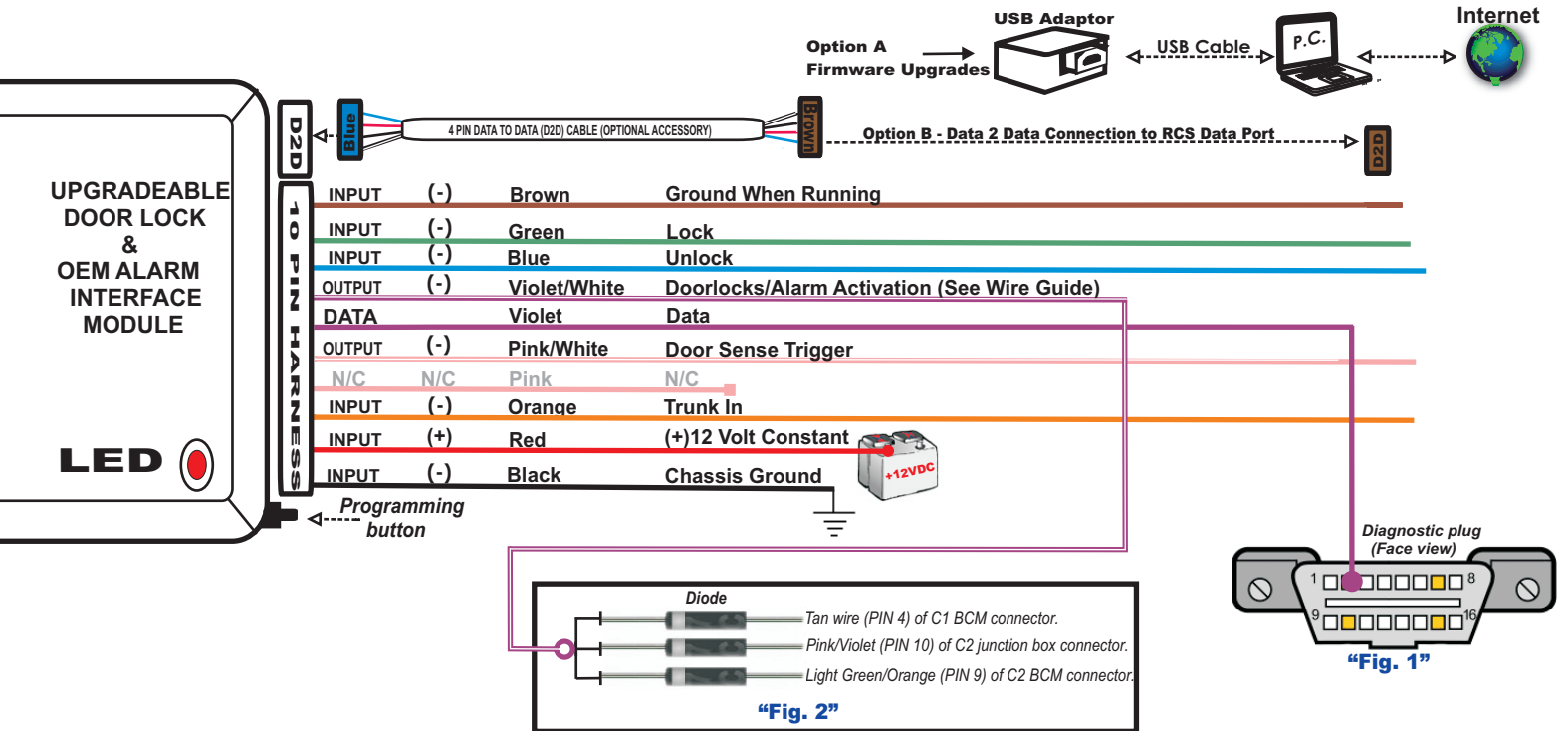
**Functions:** Data Bus Interface: Lock/Unlock, Trunk/Rear Hatch, OEM Security Arm/Disarm, RAP Shut-down.

Downloadable Firmware for Platform #03: CHDL2, CHDL3, CHDL4, CHDL6+, CHDL7, JDL

**WARNING:** Before beginning your install go to [www.INTELLIKITS.com](http://www.INTELLIKITS.com) and be sure to print the LATEST corresponding installation manual for the firmware that is flashed to the platform you are using.

**Section A**

**See Wire Connection Guide for detailed information regarding wire functionality**



**Section B**

## WIRE GUIDE: CONNECTIONS

**10 PIN HARNESS**    **D2D = Optional use of 4 Pin Data to Data (D2D) cable will replace the analogue wire (w2w) connection**

PIN#	WIRE COLOR	VEHICLE TYPE	D2D w2w	I/O STATUS	(-) / (+)	Connect Location	SPECIFIC WIRE CONNECTION LOCATION	ACTIVATION and/or FUNCTIONALITY
1	Brown	N/A	D2D w2w	Input	(-)	RCS	Ground When Running from Output of Remote Starter.	Factory Alarm Arm/ Disarm
2	Green	N/A	D2D w2w	Input	(-)	RCS	Connect to (-) Lock Output wire of RCS	Lock All Doors
3	Blue	N/A	D2D w2w	Input	(-)	RCS	Connect to (-) Unlock Output wire of RCS	Unlocks All Doors
4	Violet/White	N/A	w2w	Output	(-)	Vehicle	BCM (Behind fusebox on drivers side)	Activates Doorlocks and Alarm (See Fig.2)
5	Violet	N/A	w2w	Data		Vehicle	On Board Diagnostic Connector (OBDII) PIN 2 Face View Under Dash on Driver Side (See Fig.1)	Data Commands from Module to Vehicle
6	Pink/White	N/A	D2D w2w	Output	(-)	RCS	Connect to (-) door trigger input wire of RCS	Detects Doors status (open/closed) via data bus then converts to an analogue output (-)
7	Pink	N/C	N/C	N/C	N/C	N/C	N/C	N/C
8	Orange	N/A	D2D w2w	Input	(-)	RCS	Trunk Output	Opens Trunk
9	Red	N/A	D2D w2w	Input	(+)	Vehicle	Constant (+) 12 Volt Source	Power Source
10	Black	N/A	D2D w2w	Input	(-)	Vehicle	Chassis Ground	Ground Source

**Legend**    RCS = Remote Control System    N/C = No Connection    N/A = Not Applicable    W2W= analogue wire to wire    D2D= data 2 data

**DATA to DATA PORT (D2D):** Blue connector of D2D Cable plugs into the upgradeable vehicle interface module.  
 OPTION A: - D2D Port used to connect to USB Bootloader adaptor & computer to download & flash vehicle interface firmware.  
 OPTION B: - D2D Port used to connect to the data port of a remote control system equipped with ClearCode Vehicle Interface Protocol.  
 Remote control systems designed with ClearCode VIP can securely communicate via the D2D cable to transmit & receive data commands which initiate specific vehicle function such as doorlocks & immobilizer override and /or request information from the vehicle such as status of entry points (doors) or ambient temperature, diesel glow plug etc... ClearCode VIP represents the doorway to vehicle integration...

This Interface kit / Data Bus Interface part has been tested on the listed vehicles. Other vehicles will be added to the select vehicle list upon completion of compatibility testing. Visit website for latest vehicle application guide. **DISCLAIMER:** Under no circumstances shall the manufacturer or the distributors of the bypass kit / data bus interface part(s) be held liable for any consequential damages sustained in connection with the part(s) installation. The manufacturer and its distributors will not, nor will they authorize any representative or any other individual to assume obligation or liability in relation to the interface kit / data bus interface part(s) other than its replacement. N.B.: Under no circumstances shall the manufacturer and distributors of this product be liable for consequential damages sustained in connection with this product neither assumes nor authorizes any representative or other person to assume for it any obligation or liability other than the replacement of this product only.

**Description:** Jeep Door Lock Alarm Interface (NO KEY REQUIRED)

**Functions:** Data Bus Interface: Lock/Unlock, Trunk/Rear Hatch, OEM Security Arm/Disarm, RAP Shut-down.

---

## Section C

### **VEHICLE PROGRAMMING:**

- 1) Connect the module, LED will go on.
- 2) Turn key ON, LED will turn off. Module is now programmed.

## Section D

### **USER SETTINGS - OPTIONAL PROGRAMMING:**

**NOTE: Only MODE 8 is available.**

*USER MODES are identified by a slow LED flash pattern. 1 slow flash=Mode1, 2 slow flashes=Mode 2 etc.*

- 1) Key "OFF" position, **press** and **hold** program button for 2 seconds, LED will flash rapidly for 2 seconds. Release button, LED will identify the MODE selection with a slow flash pattern (1- 8 slow flashes) and then will identify OPTION selection with a fast flash pattern. (1 or 2 fast flashes)
- 2) To change **MODE**, **push button** one time, LED will confirm **MODE** with slow flash pattern (1-8 slow flashes).
- 3) To change OPTION SELECTION within a MODE, **press LOCK or UNLOCK** button on the aftermarket remote control system. LED will identify option selection with either one or two fast flashes.
- 4) To save and exit programming, **press** and **hold button** until LED flashes one time rapidly, showing end of OPTION programming.

*\* = Default*

**MODE 8 = \*OPTION 1: No reset (Default)**

**OPTION 2: Complete reset of option and module**