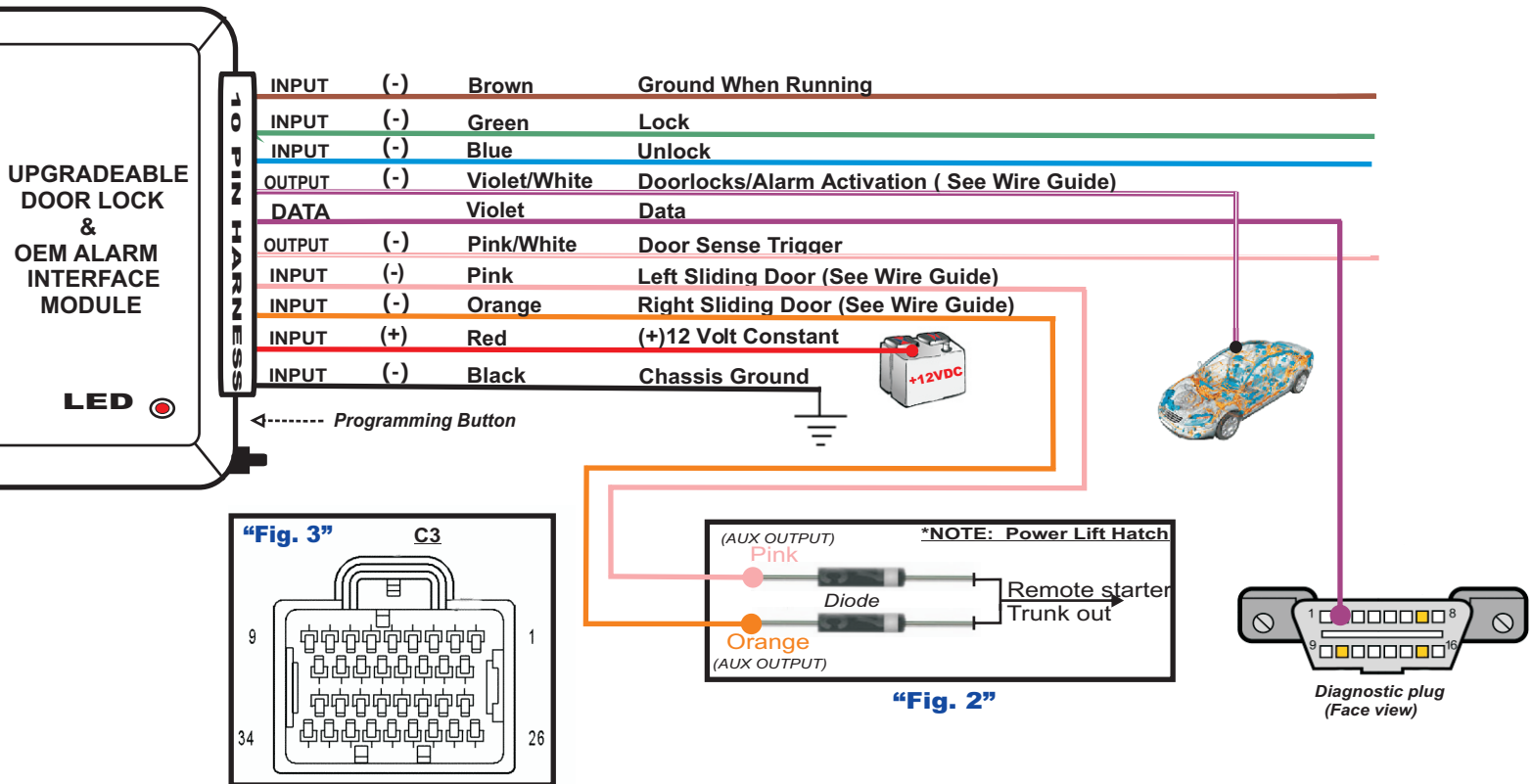


Description: Caravan/Pacifica Door Lock Alarm Interface (NO KEY REQUIRED)

Functions: Data Bus Interface: Lock/Unlock, Trunk/Rear Hatch, Sliding Door RT. & LEFT, OEM Security, Arm/Disarm, Starter Enable, Door Pin Status Output for Aftermarket Alarm (-)

IMPORTANT! Please read this installation guide thoroughly before installing. Use only a high quality digital multi-meter for testing. This product connects to the vehicle's low voltage signal wire and improper installation or testing can result in damage to the vehicle. Never use a test light or logic probe to test wires in this vehicle!

Section A See Wire Connection Guide for detailed information regarding wire functionality



Section B

WIRE GUIDE: CONNECTIONS

10 PIN HARNESS → D2D = Optional use of 4 Pin Data to Data (D2D) cable will replace the analogue wire (w2w) connection

PIN#	WIRE COLOR	VEHICLE TYPE	D2D w2w	I/O STATUS	(-) / (+)	Connect Location	SPECIFIC WIRE CONNECTION LOCATION	ACTIVATION and/or FUNCTIONALITY
1	Brown	N/A	D2D w2w	Input	(-)	RCS	Ground When Running Output of Remote Starter	Factory Alarm Arm/ Disarm
2	Green	N/A	D2D w2w	Input	(-)	RCS	Connect to (-) Lock Output wire of RCS	Lock All Doors
3	Blue	N/A	D2D w2w	Input	(-)	RCS	Connect to (-) Unlock Output wire of RCS	Unlocks All Doors
4	Violet/ White	Type 1 (2001-2003 Minivans)	w2w	Output	(-)	Vehicle	Connector C3 on BCM (Left side of steering column near firewall on) With Factory Alarm = Purple/Lt Blue (PIN14) Without Factory Alarm = Purple/Drk Green (PIN21)	Activates Doorlocks and Alarm (See Fig.3)
5	Violet	N/A	w2w	Data		Vehicle	On Board Diagnostic Connector (OBDII) PIN 2 Face View Under Dash on Driver Side (See Fig.1)	Data Commands from Module to Vehicle
6	Pink/ White	N/A	D2D w2w	Output	(-)	RCS	Connect to (-) door trigger input wire of RCS	Detects Doors status (open/closed) via data bus then converts to an analogue output (-)
7	Pink	Type 1 & 2	D2D w2w	Input	(-)	RCS	AUX Output for Left Sliding Door	1 sec (-) Pulse Lft Slide Door Open/Close
8	Orange	Type 1 & 2	D2D w2w	Input	(-)	RCS	AUX Output for Right Sliding Door	1 sec (-) Pulse Right Slide Door Open/Close
		Type 1 & 2	D2D w2w	Input	(-)	RCS	Trunk or AUX Output	3 sec (-) Pulse Releases Trunk/Rear Hatch OR 1 sec (-) Pulse simultaneously on Orange & Pink Releases Trunk/Rear Hatch (See Fig.2)
9	Red	N/A	D2D w2w	Input	(+)	Vehicle	Constant (+) 12 Volt Source	Power Source
10	Black	N/A	D2D w2w	Input	(-)	Vehicle	Chassis Ground	Ground Source

Legend RCS = Remote Control System N/C = No Connection N/A = Not Applicable W2W= analogue wire to wire D2D= data 2 data

Section C

VEHICLE TYPE PROGRAMMING:

- 1) Connect the module, LED comes ON solid.
- 2) Turn the ignition key to the **ON** position. LED will turn off then it will begin a flash pattern that matches the vehicle type selection. (The default vehicle type selection is Type 1.)
**If the module has never been programmed or has been reset, LED will indicate which TYPE the module is in by the number of flashes.*
- 3) To change the vehicle type, press and release the program button until LED flash pattern matches the selected vehicle type.
LED flash pattern will match the Vehicle Type selected.
Example: 1 flash = Type 1, 2 flashes = Type 2 and so on.
- 4) To save the vehicle type selection, press and hold the program button until the LED flashes rapidly. The module will then exit the programming. The module is now programmed. **If LED comes on solid, turn the key to start the engine.*

**If the module has already been programmed, the number of flashes indicate the type programmed when applying power to module, one time only.
Module is now ready to function.*

Section E

USER SETTINGS - OPTIONAL PROGRAMMING:

NOTE: Only MODES 7 & 8 are available.

USER MODES are identified by a slow LED flash pattern. 1 slow flash=Mode1, 2 slow flashes=Mode 2 etc.

- 1) Key "OFF" position, **press** and **hold** program button for 2 seconds, LED will flash rapidly for 2 seconds. Release button, LED will identify the MODE selection with a slow flash pattern (1- 8 slow flashes) and then will identify OPTION selection with a fast flash pattern. (1 or 2 fast flashes)
- 2) To change **MODE**, **push button** one time, LED will confirm **MODE** with slow flash pattern (1-8 slow flashes).
- 3) To change **OPTION SELECTION** within a **MODE**, **press LOCK or UNLOCK** button on the aftermarket remote control system. LED will identify option selection with either one or two fast flashes.
- 4) To save and exit programming, **press** and **hold button** until LED flashes one time rapidly, showing end of OPTION programming.

* = Default

MODE 7 =	*OPTION 1: Vehicle <u>with</u> alarm (Default)	OPTION 2: Vehicle <u>without</u> alarm
MODE 8 =	*OPTION 1: No reset (Default)	OPTION 2: Complete reset of option and module

Section D

VEHICLE TYPE CHART

VEHICLES	2006	2005	2004	2003	2002	2001
GRAND CARAVAN	2	2	2	1	1	1
CARAVAN	2	2	2	1	1	1
TOWN & COUNTRY	2	2	2	1	1	1
PACIFICA	2	2	2	N/A	N/A	N/A
LIBERTY	2	2	N/A	N/A	N/A	N/A
VOYAGER	N/A	N/A	N/A	1	1	1

NOTE: Once you have determined your vehicle type, please refer to the Wire Guide.