

**Description:** Jeep Door Lock Alarm Interface: Grand Cherokee 99-04 (JDL) Door Lock & Alarm Interface (NO KEY REQUIRED)

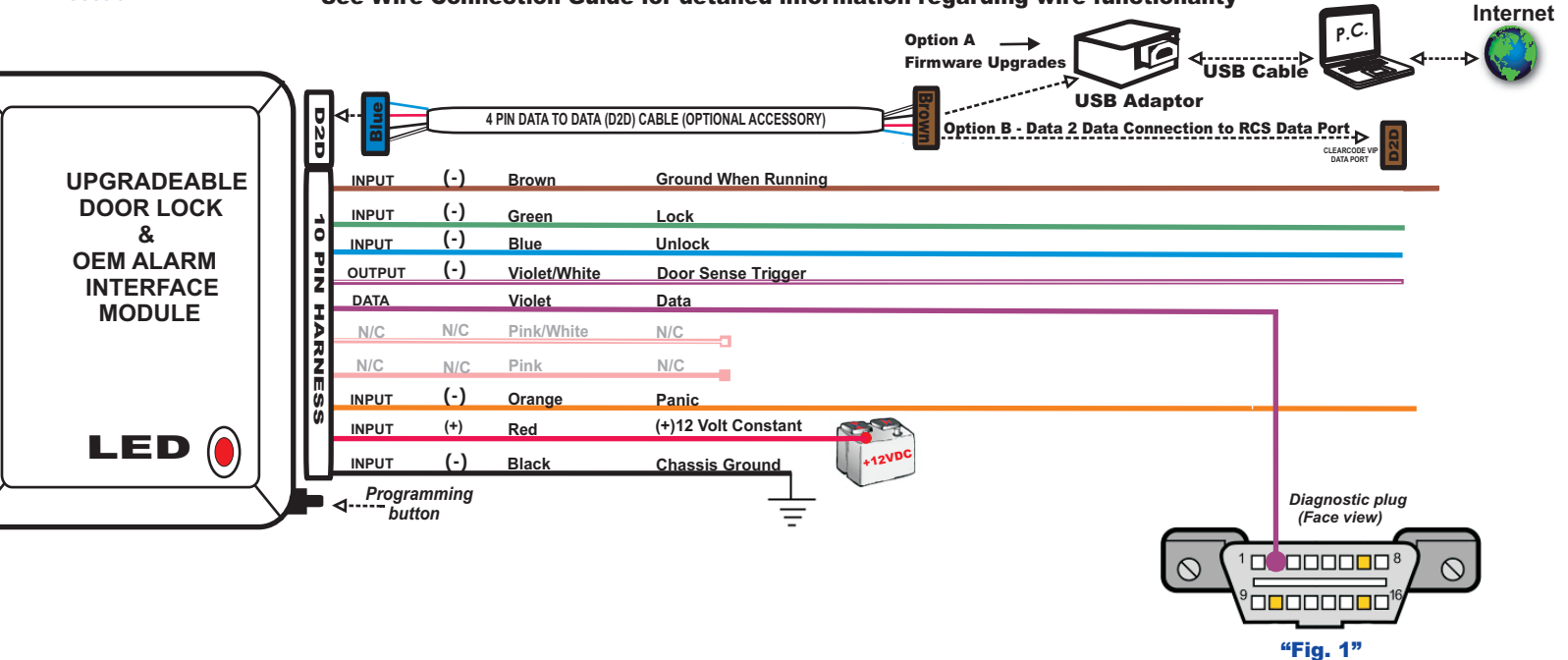
**Functions:** Data Bus Interface: Lock/Unlock, Driver Priority Unlock, OEM Security Arm/Disarm, Panic, Door status output wire for aftermarket alarm

Downloadable Firmware for Platform #03: CHDL2, CHDL3, CHDL4, CHDL6+, CHDL7, JDL

**WARNING:** Before beginning your install go to [www.INTELLIKITS.com](http://www.INTELLIKITS.com) and be sure to print the LATEST corresponding installation manual for the firmware that is flashed to the platform you are using.

**Section A**

See Wire Connection Guide for detailed information regarding wire functionality



**Section B**

## WIRE GUIDE: CONNECTIONS

10 PIN HARNESS → D2D = Optional use of 4 Pin Data to Data (D2D) cable will replace the analogue wire (w2w) connection

PIN#	WIRE COLOR	VEHICLE TYPE	D2D w2w	I/O STATUS	(-) / (+)	Connect Location	SPECIFIC WIRE CONNECTION LOCATION	ACTIVATION and/or FUNCTIONALITY
1	Brown	N/A	D2D w2w	Input	(-)	RCS	Ground When Running from output of remote starter.	Factory Alarm Arm/Disarm + Defrost
2	Green	N/A	D2D w2w	Input	(-)	RCS	Lock connects to (-) Lock Output wire of RCS	Lock All Doors (See User Settings)
3	Blue	N/A	D2D w2w	Input	(-)	RCS	Connect to (-) Unlock Output wire of RCS	Unlock All Doors (See User Settings)
4	Violet/White	N/A	D2D w2w	Output	(-)	RCS	Connect to (-) door trigger input wire of RCS	Detects Doors status (open/closed) via data bus then converts to an analogue output (-)
5	Violet	N/A	w2w	Data		Vehicle	On Board Diagnostic Connector (OBDII) PIN 2 Face View Under Dash on Driver Side (See Fig.1)	Data Commands from Module to Vehicle
6	Pink/White	N/C	N/C	N/C	N/C	N/C	N/C	N/C
7	Pink	N/C	N/C	N/C	N/C	N/C	N/C	N/C
8	Orange	N/A	D2D w2w	Input	(-)	RCS	Panic Output (Optional Connection)	Enables Panic Mode
9	Red	N/A	D2D w2w	Input	(+)	Vehicle	Constant (+) 12 Volt Source	Power Source
10	Black	N/A	D2D w2w	Input	(-)	Vehicle	Chassis Ground	Ground Source

**Legend** RCS = Remote Control System    N/C = No Connection    N/A = Not Applicable    W2W= analogue wire to wire    D2D= data 2 data

**DATA to DATA PORT (D2D):** Blue connector of D2D Cable plugs into the upgradeable vehicle interface module.

OPTION A: - D2D Port used to connect to USB Bootloader adaptor & computer to download & flash vehicle interface firmware.

OPTION B: - D2D Port used to connect to the data port of a remote control system equipped with ClearCode Vehicle Interface Protocol.

Remote control systems designed with ClearCode VIP can securely communicate via the D2D cable to transmit & receive data commands which initiate specific vehicle function such as doorlocks & immobilizer override and /or request information from the vehicle such as status of entry points (doors) or ambient temperature, diesel glow plug etc... ClearCode VIP represents the doorway to vehicle integration...

**Description:** Jeep Door Lock Alarm Interface: Grand Cherokee 99-04 (JDL) Door Lock & Alarm Interface (NO KEY REQUIRED)

**Functions:** Data Bus Interface: Lock/Unlock, Driver Priority Unlock, OEM Security Arm/Disarm, Panic, Door status output wire for aftermarket alarm

---

## Section C

### VEHICLE PROGRAMMING:

- 1) Connect the module, LED comes ON solid.
- 2) Turn the ignition key to the **ON** position. LED will turn off. Module is now programmed.  
*\*If module has already been programmed , LED will flash 4 times.*

## Section D

### USER SETTINGS - OPTIONAL PROGRAMMING:

*USER MODES are identified by a slow LED flash pattern. 1 slow flash=Mode1, 2 slow flashes=Mode 2 etc.*

- 1) Key "**OFF**" position, **press** and **hold** program button for 2 seconds, LED will flash rapidly for 2 seconds. Release button, LED will identify the MODE selection with a slow flash pattern (1- 8 slow flashes) and then will identify OPTION selection with a fast flash pattern. (1 or 2 fast flashes)
- 2) To change **MODE**, **push button** one time, LED will confirm **MODE** with slow flash pattern (1-8 slow flashes).
- 3) To change OPTION SELECTION within a MODE, **press LOCK or UNLOCK** button on the aftermarket remote control system. LED will identify option selection with either one or two fast flashes.
- 4) To save and exit programming, **press** and **hold button** until LED flashes one time rapidly, showing end of OPTION programming.

*\* = Default*

<b>MODE 1 =</b>	<b>*OPTION 1:</b> 1st pulse unlock all doors	<b>OPTION 2:</b> 1st pulse unlock driver door, 2nd pulse unlock all door
<b>MODE 5 =</b>	<b>*OPTION 1:</b> Windows roll-up OFF	<b>OPTION 2:</b> Windows roll-up ON
<b>MODE 8 =</b>	<b>OPTION 1:</b> Reset mode with unlock button	