

# Platform # 05

# Firmware: PKH3

Installation Manual (1/2 Pages)

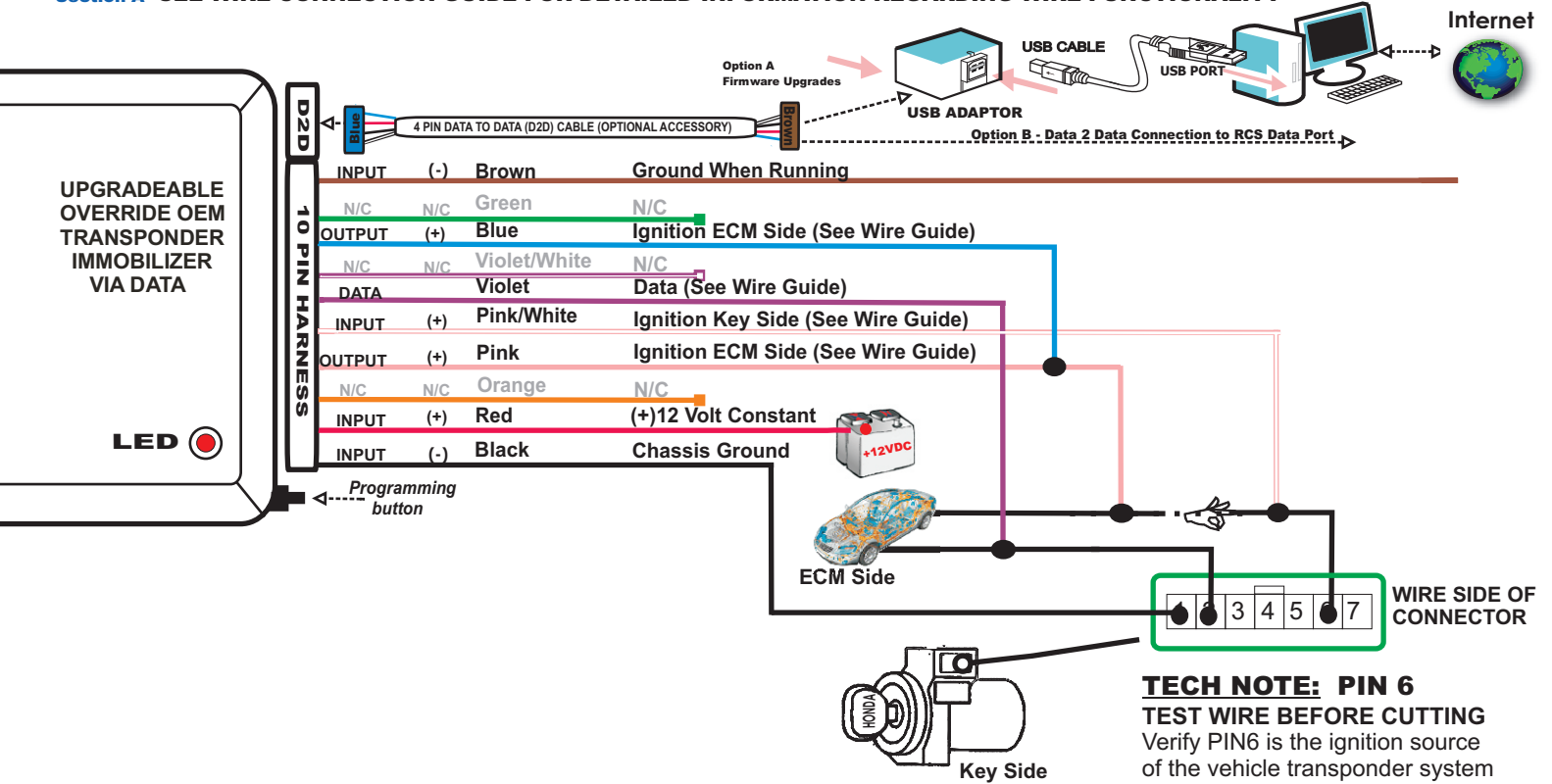
**Description: Honda/Acura Transponder Interface: TYPE "C" (7 Wire Connector)**

**Functions: Override OEM Transponder Immobilizer Via Data (NO KEY REQUIRED)**

Downloadable Firmware for Platform #05: PKG3,PKG8,PKH1, PKH2,PKH3,PKH4,PKHY1,PKM2,PKN2,PKT2

**WARNING: Before beginning your install go to [www.INTELLIKITS.com](http://www.INTELLIKITS.com) and be sure to print the LATEST corresponding installation manual for the firmware that is flashed to the platform you are using.**

**Section A SEE WIRE CONNECTION GUIDE FOR DETAILED INFORMATION REGARDING WIRE FUNCTIONALITY**



**Section B**

**WIRE GUIDE: CONNECTIONS**

10 PIN HARNESS → D2D = Optional use of 4 Pin Data to Data (D2D) cable will replace the analogue wire (w2w) connection

PIN#	WIRE COLOR	D2D w2w	I/O STATUS	(-) / (+)	Connect Location	SPECIFIC WIRE CONNECTION LOCATION	ACTIVATION and/or FUNCTIONALITY
1	Brown	D2D w2w	Input	(-)	RCS	Ground When Running Output of Remote Starter	Immobilizer Bypass Via Data
2	Green	N/C	N/C	N/C	N/C	N/C	N/C
3	Blue	w2w	Output	(+)	Vehicle	Connect in parallel to Pink wire of 10 PIN Harness	Ignition Power Source Supply
4	Violet/White	N/C	N/C	N/C	N/C	N/C	N/C
5	Violet	w2w	Data		Vehicle	Connect to vehicle Data wire PIN 2 <b>(See Vehicle Wiring Reference Chart for wire colors)</b>	Data Commands from Module to Vehicle
6	Pink/White	w2w	Input	(+)	Vehicle	Connect to vehicle ignition wire (Key Side) PIN 6 <b>(See Vehicle Wiring Reference Chart for wire colors)</b>	Ignition Power Source Return
7	Pink	w2w	Output	(+)	Vehicle	Once connected in parallel to Blue wire of 10 pin harness, connect to vehicle ignition wire (ECM Side) PIN 6 <b>(See Vehicle Wiring Reference Chart for wire colors)</b>	Ignition Power Source Supply
8	Orange	N/C	N/C	N/C	N/C	N/C	N/C
9	Red	D2D w2w	Input	(+)	Vehicle	Constant (+) 12 Volt Source	Power Source
10	Black	D2D w2w	Input	(-)	Vehicle	Chassis Ground	Ground Source

**Legend** RCS = Remote Control System N/C = No Connection N/A = Not Applicable W2W= analogue wire to wire D2D= data 2 data

**DATA to DATA PORT (D2D):** Blue connector of D2D Cable plugs into the upgradeable vehicle interface module.

OPTION A: - D2D Port used to connect to USB Bootloader adaptor & computer to download & flash vehicle interface firmware.

OPTION B: - D2D Port used to connect to the data port of a remote control system equipped with ClearCode Vehicle Interface Protocol.

Remote control systems designed with ClearCode VIP can securely communicate via the D2D cable to transmit & receive data commands which initiate specific vehicle function such as doorlocks & immobilizer override and /or request information from the vehicle such as status of entry points (doors) or ambient temperature, diesel glow plug etc... ClearCode VIP represents the doorway to vehicle integration...As an enhanced security feature, this upgradeable vehicle interface module automatically detects when the Vehicle Interface Protocol is present and deactivates the analogue override input wire (brown wire) ensuring that this module can only be activated by an authorized user.

This interface kit / Data Bus Interface part has been tested on the listed vehicles. Other vehicles will be added to the select vehicle list upon completion of compatibility testing. Visit website for latest vehicle application guide. **DISCLAIMER:** Under no circumstances shall the manufacturer or the distributors of the bypass kit / data bus interface part(s) be held liable for any consequential damages sustained in connection with the part(s) installation. The manufacturer and it's distributors will not, nor will they authorize any representative or any other individual to assume obligation or liability in relation to the interface kit / data bus interface part(s) other than its replacement. N.B.: Under no circumstances shall the manufacturer and distributors of this product are liable for consequential damages sustained in connection with this product neither assumes nor authorizes any representative or other person to assume for it any obligation or liability other than the replacement of this product only.

**Description: Honda/Acura Transponder Interface: TYPE "C" (7 Wire Connector)**

**Functions: Override OEM Transponder Immobilizer Via Data (NO KEY REQUIRED)**

---

## Section C

### **VEHICLE PROGRAMMING**

- 1) Once module has been properly connected, press and hold programming button.
- 2) Turn the ignition key to ON position, LED should blink.
- 3) Release programming button, module is now programmed.

*\*To RESET, press and hold button and plug in module. LED comes on. When LED goes off, release button.*

## Section D

### **VEHICLE WIRING REFERENCE CHART**

VEHICLE	DATA	IGNITION	GROUND
Acura EL 1.7 2005 - 01	Red/Blue Pos.#2	Yellow/Black Pos.#6	Brown/ Yellow Pos.#1
Acura MDX 2006 - 2003	Red Pos.#2	Green/White Pos.#6	Brown/ Yellow Pos.#1
Acura RSX 2006 - 2002	Red/Blue Pos.#2	Yellow/Black Pos.#6	Brown/ Yellow Pos.#1
Acura TSX 2007 - 2003	Red/Blue Pos.#2	Yellow/Black Pos.#6	Brown/ Yellow Pos.#1
Acura TL 2007 - 2004	Red/Blue Pos.#2	Blue/Black Pos.#6	Brown/ Yellow Pos.#1
Honda Accord 2007 - 2003	Red/Blue Pos.#2	Yellow/Black Pos.#6	Brown/ Yellow Pos.#1
Honda Civic 2005 - 2001	Red/Blue Pos.#2	Yellow/Black Pos.#6	Brown/ Yellow Pos.#1
Honda CRV 2006 - 03	White Pos.#2	Yellow/Black Pos.#6	Brown/ Yellow Pos.#1
Honda Element 2007 - 2003	White Pos.#2	Yellow/Black Pos.#6	Brown/ Yellow Pos.#1
Honda Pilot 2007 - 2005	Red/Green Pos.#2	Red/White Pos.#6	Brown/ Yellow Pos.#1
Honda Odyssey 2007 - 2005	Red/Blue Pos.#2	Yellow/Black Pos.#6	Black Pos.#1
Honda Ridgeline 2007-2006	Red/Blue Pos.#2	Green/Black Pos.#6	Brown/ Yellow Pos.#1
Honda Fit 2007	Light Green/Black Pos.#2	Yellow/Black Pos.#6	Brown/ Yellow Pos.#1

### **INSTALLATION NOTES:**

Honda Accord: Connector in vehicle is **WHITE**.