

Platform # 520

Firmware: HODL

Installation
Manual (1/3 Pages)

Description: Honda/Acura Door Lock, Alarm and Transponder Interface (KEY REQUIRED)

Functions: Lock/Unlock, Trunk, OEM Security Arm/Disarm

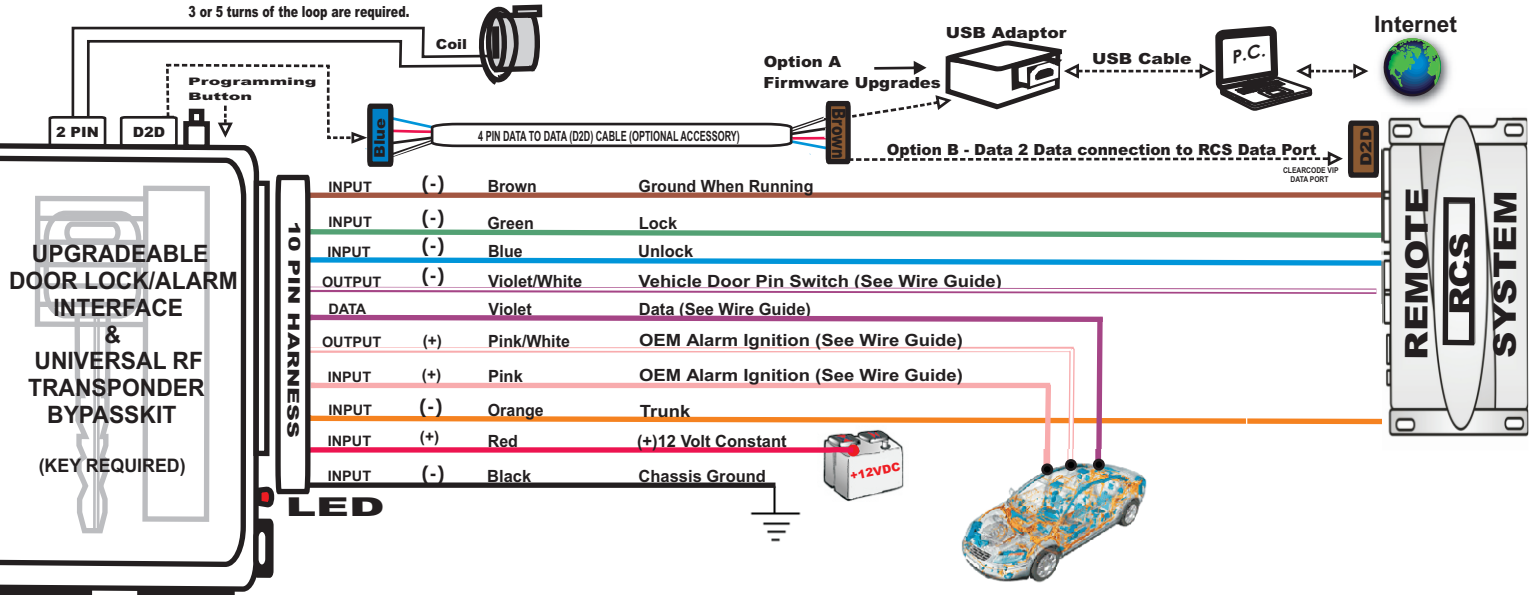
Downloadable Firmware for Platform #520: HODL, NISSDL, SUBDL

WARNING: Before beginning your install go to www.INTELLIKITS.com and be sure to print the LATEST corresponding installation manual for the firmware that is flashed to the platform you are using.

Section A

See Wire Connection Guide for detailed information regarding wire functionality

NOTE: Locate the coil around the ignition.
3 or 5 turns of the loop are required.



Section B

WIRE GUIDE: CONNECTIONS

10 PIN HARNESS → D2D = Optional use of 4 Pin Data to Data (D2D) cable will replace the analogue wire (w2w) connection

PIN#	WIRE COLOR	VEHICLE TYPE	D2D w2w	I/O STATUS	(-) / (+)	Connect Location	SPECIFIC WIRE CONNECTION LOCATION	ACTIVATION and/or FUNCTIONALITY
1	Brown	N/A	w2w	Input	(-)	RCS	Ground When Running Output of Remote Starter	RF Transponder Bypass + OEM Security Arm/Disarm
2	Green	N/A	D2D w2w	Input	(-)	RCS	Connect to (-) Lock Output wire of RCS	Lock All Doors
3	Blue	N/A	D2D w2w	Input	(-)	RCS	Connect to (-) Unlock Output wire of RCS	Unlocks All Doors
4	Violet/White	See Vehicle Type Diagram	w2w	Output	(-)	Vehicle	Connect to data wire, fuse box side (See Vehicle Type Diagram for Connections)	Supplies (-) output to vehicle door pin switch in order to arm OEM alarm
5	Violet	See Vehicle Type Diagram	w2w	Data		Vehicle	(See Vehicle Type Diagram for Connections)	Lock/Unlock/Arm/Disarm Via Vehicle Data Wire
6	Pink/White	See Vehicle Type Diagram	w2w	Output	(+)	Vehicle	OEM Alarm Ignition Input (See Vehicle Type Diagram for Connections)	Ignition Power to Alarm Module
7	Pink	See Vehicle Type Diagram	w2w	Input	(+)	Vehicle	OEM Alarm Ignition Output (See Vehicle Type Diagram for Connections)	Ignition from Vehicle Harness
8	Orange	Acura 1.7 ONLY	D2D w2w	Input	(-)	RCS	Connect to (-) Trunk Release Output wire of RCS	Trunk Release *Acura 1.7 ONLY
9	Red	N/A	D2D w2w	Input	(+)	Vehicle	Constant (+) 12 Volt Source	Power Source
10	Black	N/A	D2D w2w	Input	(-)	Vehicle	Chassis Ground	Ground Source

Legend RCS = Remote Control System N/C = No Connection N/A = Not Applicable W2W= analogue wire to wire D2D= data 2 data

DATA to DATA PORT (D2D): Blue connector of D2D Cable plugs into the upgradeable vehicle interface module.

OPTION A: - D2D Port used to connect to USB Bootloader adaptor & computer to download & flash vehicle interface firmware.

OPTION B: - D2D Port used to connect to the data port of a remote control system equipped with ClearCode Vehicle Interface Protocol.

Remote control systems designed with ClearCode VIP can securely communicate via the D2D cable to transmit & receive data commands which initiate specific vehicle function such as doorlocks & immobilizer override and/or request information from the vehicle such as status of entry points (doors) or ambient temperature, diesel glow plug etc... ClearCode VIP represents the doorway to vehicle integration...When using D2D cable on a Combo kit which includes RF Transponder Bypass, the Brown GWR wire (10 pin), is a required connection.

Description: Honda/Acura Door Lock, Alarm and Transponder Interface (KEY REQUIRED)

Functions: Lock/Unlock, Trunk, OEM Security Arm/Disarm

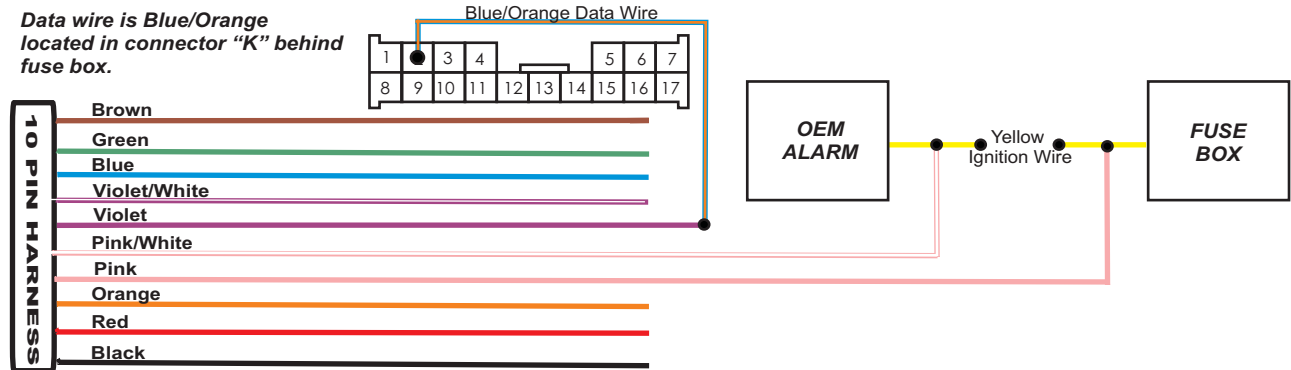
Section C

VEHICLE TYPE DIAGRAM

TYPE 1

Civic, CRV, Element, Acura 1.7 EL and Acura EL 2005 type diagram.

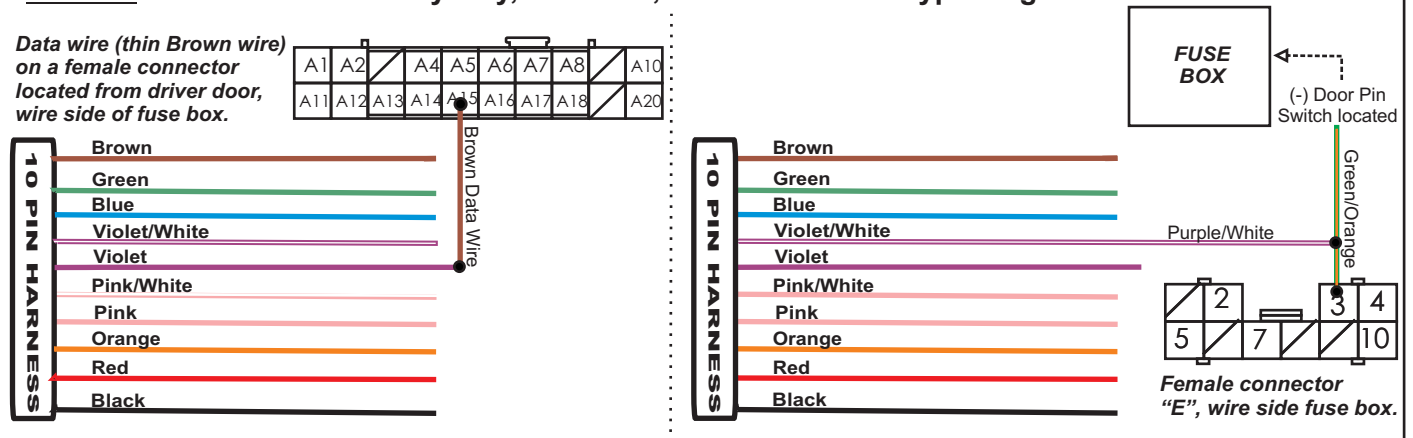
Data wire is Blue/Orange located in connector "K" behind fuse box.



TYPE 2

Odyssey, Acura TL, Pilot and Accord type diagram.

Data wire (thin Brown wire) on a female connector located from driver door, wire side of fuse box.



Section D

UNIVERSAL TRANSPONDER INSTALLATION:

- 1) Once the wires have been connected properly, open box and insert key inside wire loop, now close box.
- 2) Wrap coil loop around Key Cylinder, 3 to 5 turns of the loop is required. Installation is complete.

Section E

VEHICLE TYPE PROGRAMMING

- 1) Connect the module, LED comes **ON** solid.
- 2) Turn key to **ON** position. LED turns **OFF**, then it will begin a flash pattern that matches the vehicle type selection. (The default vehicle type selection is Type 1.)
**If the module has never been programmed or has been reset, LED will indicate which TYPE the module is in by the number of flashes.*
- 3) To change the vehicle type, press and release the program button until LED flash pattern matches the selected vehicle type. LED flash pattern will match the Vehicle Type selected. **Example: 1 flash = Type 1, 2 flashes = Type 2 and so on.**
- 4) To save the vehicle type selection, press and hold the program button until the LED flashes rapidly. The module will then exit the programming. The module is now programmed. **If LED comes on solid, turn the key to start the engine.*
**If the module has already been programmed, the number of flashes indicate the type programmed when applying power to module, one time only. Module is now ready to function.*

Description: Honda/Acura Door Lock, Alarm and Transponder Interface (KEY REQUIRED)

Functions: Lock/Unlock, Trunk, OEM Security Arm/Disarm

Section F

USER SETTINGS - OPTIONAL PROGRAMMING

NOTE: When using D2D, Driver's Priority is not available.

USER MODES are identified by a slow LED flash pattern. 1 slow flash=Mode1, 2 slow flashes=Mode 2 etc.

- 1) Key "OFF" position, **press** and **hold** program button for 2 seconds, LED will flash rapidly for 2 seconds. Release button, LED will identify the MODE selection with a slow flash pattern (1- 8 slow flashes) and then will identify OPTION selection with a fast flash pattern. (1 or 2 fast flashes)
- 2) To change **MODE**, **push button** one time, LED will confirm **MODE** with slow flash pattern (1-8 slow flashes).
- 3) To change OPTION SELECTION within a MODE, **press LOCK or UNLOCK** button on the aftermarket remote control system. LED will identify option selection with either one or two fast flashes.
- 4) To save and exit programming, **press** and **hold button** until LED flashes one time rapidly, showing end of OPTION programming.

* = Default

MODE 1 =	*OPTION 1: 1st Pulse Unlock All Doors (Default)	OPTION 2: 1st Pulse Unlock Driver Door, 2nd Pulse Unlock All Doors
MODE 8 =	*OPTION 1: No reset (Default)	OPTION 2: Complete reset of option and module