

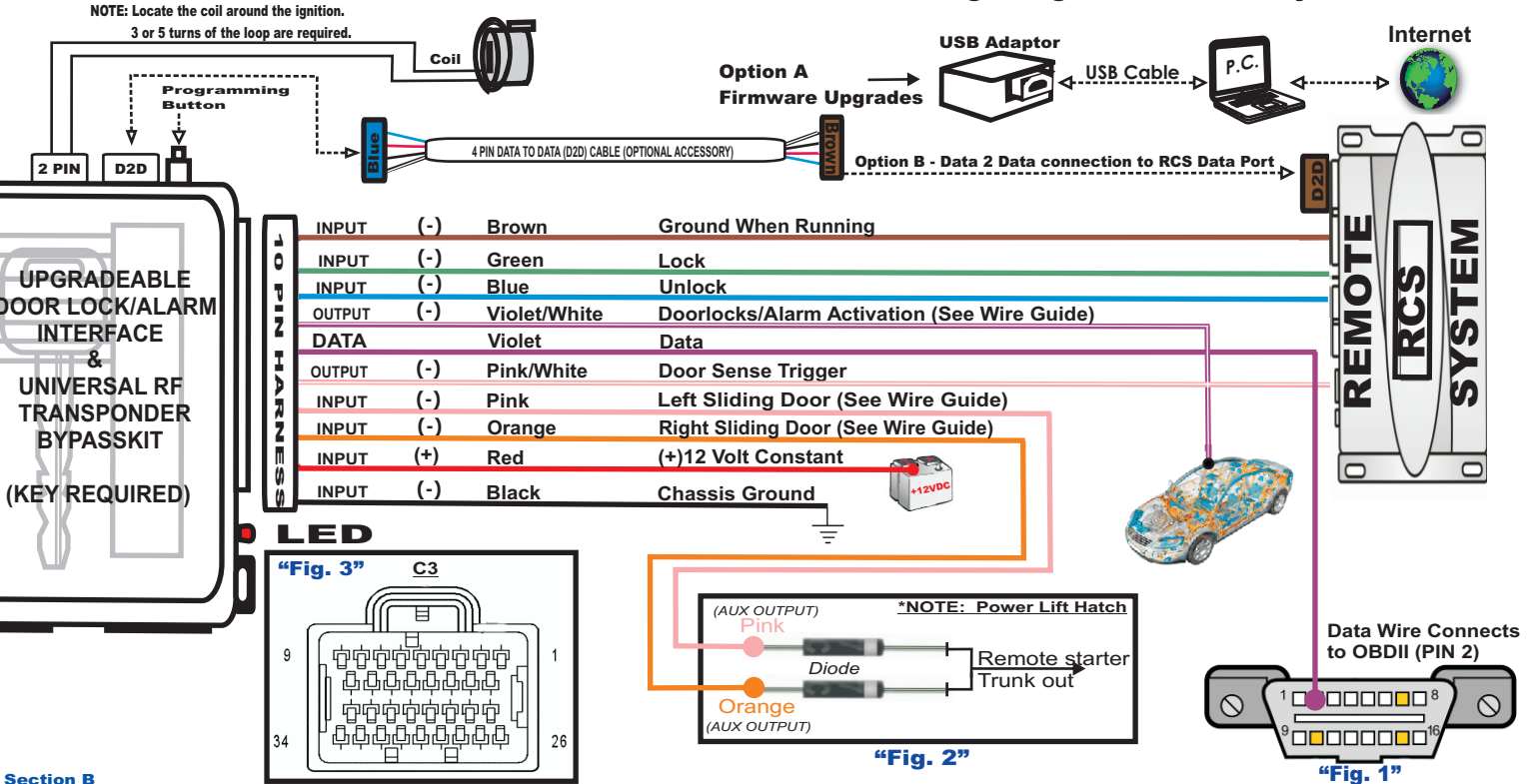
Description: Chrysler Dodge Jeep Combo Door Lock Alarm Interface & Transponder Bypass (KEY REQUIRED)

Functions: Data Bus Interface: Lock/Unlock, Trunk/Rear Hatch, Sliding Door RT & LFT, OEM Security Arm/Disarm, Starter Enable, Door Pin Status Output for aftermarket alarm

Downloadable Firmware for Platform #530: CHDL2, CHDL3, CHDL4, CHDL6+, CHDL7, JDL

WARNING: Before beginning your install go to www.INTELLIKITS.com and be sure to print the LATEST corresponding installation manual for the firmware that is flashed to the platform you are using.

Section A See Wire Connection Guide for detailed information regarding wire functionality



Section B WIRE GUIDE: CONNECTIONS

10 PIN HARNESS → D2D = Optional use of 4 Pin Data to Data (D2D) cable will replace the analogue wire (w2w) connection

WIRE PIN#	COLOR	VEHICLE TYPE	D2D w2w	I/O STATUS	(-) / (+)	Connect Location	SPECIFIC WIRE CONNECTION LOCATION	ACTIVATION and/or FUNCTIONALITY
1	Brown	N/A	w2w	Input	(-)	RCS	Ground When Running output of remote starter.	Factory Alarm/Disarm + RF Transponder Bypass
2	Green	N/A	D2D w2w	Input	(-)	RCS	Connect to (-) Lock Output wire of RCS	Lock All Doors
3	Blue	N/A	D2D w2w	Input	(-)	RCS	Connect to (-) Unlock Output wire of RCS	Unlocks All Doors
4	Violet/White	Type 1 (2001-2003 Minivans)	w2w	Output	(-)	Vehicle	Connector C3 on BCM (Left side of steering column near firewall on) With Factory Alarm = Purple/Lt Blue (PIN14) Without Factory Alarm = Purple/Drk Green (PIN21)	Activates Doorlocks and Alarm
5	Violet	N/A	w2w	Data		Vehicle	On Board Diagnostic Connector (OBDII) PIN2 Face View Under Dash on Driver Side (See Fig.1)	Data Commands from Module to Vehicle
6	Pink/White	N/A	D2D w2w	Output	(-)	RCS	Connect to (-) door trigger input wire of RCS	Detects Doors status (open/closed) via data bus then converts to an analogue output (-)
7	Pink	1 & 2	D2D w2w	Input	(-)	RCS	AUX Output for Left Sliding Door	1 sec (-) Pulse Left Slide Door Open/Close
8	Orange	1 & 2	D2D w2w	Input	(-)	RCS	AUX Output for Right Sliding Door	1 sec (-) Pulse Right Slide Door Open/Close
		1 & 2	D2D w2w	Input	(-)	RCS	Trunk or AUX Output	3 sec (-) Pulse Releases Trunk/Rear Hatch OR 1 sec (-) Pulse simultaneously on Orange & Pink Releases Trunk/Rear Hatch (See Fig.2)
9	Red	N/A	D2D w2w	Input	(+)	Vehicle	Constant (+) 12 Volt Source	Power Source
10	Black	N/A	D2D w2w	Input	(-)	Vehicle	Chassis Ground	Ground Source

Legend RCS = Remote Control System N/C = No Connection N/A = Not Applicable w2w = Wire to Wire D2D = Data to Data

DATA to DATA PORT (D2D): Blue connector of D2D Cable plugs into the upgradeable vehicle interface module.

OPTION A: - D2D Port used to connect to USB Bootloader adaptor and computer to download & flash vehicle interface firmware.

OPTION B: - D2D Port used to connect to the data port of a remote control system equipped with ClearCode Vehicle Interface Protocol.

Remote control systems designed with ClearCode VIP can securely communicate via the D2D cable to transmit & receive data commands which initiate specific vehicle function such as doorlocks & immobilizer override and /or request information from the vehicle such as status of entry points (doors) or ambient temperature, diesel glow plug etc... ClearCode VIP represents the doorway to vehicle integration...When using D2D cable on a Combo kit which includes RF Transponder Bypass, the Brown GWR wire (10 pin) is a required connection

This Interface kit / Data Bus Interface part has been tested on the listed vehicles. Other vehicles will be added to the select vehicle list upon completion of compatibility testing. Visit website for latest vehicle application guide. **DISCLAIMER:** Under no circumstances shall the manufacturer or the distributors of the bypass kit / data bus interface part(s) be held liable for any consequential damages sustained in connection with the part(s) installation. The manufacturer and it's distributors will not, nor will they authorize any representative or any other individual to assume obligation or liability in relation to the interface kit / data bus interface part(s) other than its replacement. N.B.: Under no circumstances shall the manufacturer and distributors of this product be liable for consequential damages sustained in connection with this product neither assumes nor authorizes any representative or other person to assume for it any obligation or liability other than the replacement of this product only.

Description: Chrysler Dodge Jeep Combo Door Lock Alarm Interface & Transponder Bypass (KEY REQUIRED)

Functions: Data Bus Interface: Lock/Unlock, Trunk/Rear Hatch, Sliding Door RT & LFT, OEM Security Arm/Disarm, Starter Enable, Door Pin Status Output for aftermarket alarm

Section C

UNIVERSAL TRANSPONDER INSTALLATION

- 1) Once the wires have been connected properly, open box and insert key inside wire loop, now close box.
- 2) Wrap coil loop around Key Cylinder, 3 to 5 turns of the loop is required. Installation is complete.

Section D

VEHICLE TYPE PROGRAMMING

- 1) Connect the module, LED comes ON solid.
 - 2) Turn the ignition key to the **ON** position. LED will turn off then it will begin a flash pattern that matches the vehicle type selection.
(The default vehicle type selection is Type 1.)
***If the module has already been programmed the number of flashes indicate the TYPE programmed when applying power to module, one time only. The module is now ready to function.**
 - 3) To change the vehicle type, press and release the program button until LED flash pattern matches the selected vehicle type.
LED flash pattern will match the Vehicle Type selected. **Example: 1 flash = Type 1, 2 flashes = Type 2 and so on.**
 - 4) To save the vehicle type selection, press and hold the program button until the LED flashes rapidly. The module will then exit the programming. The module is now programmed. ***If LED comes on solid, turn the key to start the engine.**
- *If the module has already been programmed, the number of flashes indicate the type programmed when applying power to module, one time only. Module is now ready to function.**

Section E

VEHICLE TYPE CHART

VEHICLES	2006	2005	2004	2003	2002	2001
GRAND CARAVAN	2	2	2	1	1	1
CARAVAN	2	2	2	1	1	1
TOWN & COUNTRY	2	2	2	1	1	1
PACIFICA	2	2	2	N/A	N/A	N/A
LIBERTY	2	2	N/A	N/A	N/A	N/A
VOYAGER	N/A	N/A	N/A	1	1	1

NOTE: Once you have determined your vehicle type, please refer to the Wire Connection Guide.

Section F

USER SETTINGS - OPTIONAL PROGRAMMING

NOTE: When using D2D, Driver's Priority is not available.

USER MODES are identified by a slow LED flash pattern. 1 slow flash=Mode 1, 2 slow flashes=Mode 2 etc.

- 1) Key "OFF" position, **press** and **hold** program button for 2 seconds, LED will flash rapidly for 2 seconds. Release button, LED will identify the MODE selection with a slow flash pattern (1- 8 slow flashes) and then will identify OPTION selection with a fast flash pattern. (1 or 2 fast flashes)
- 2) To change **MODE**, **push button** one time, LED will confirm **MODE** with slow flash pattern (1-8 slow flashes).
- 3) To change OPTION SELECTION within a MODE, **press LOCK or UNLOCK** button on the aftermarket remote control system. LED will identify option selection with either one or two fast flashes.
- 4) To save and exit programming, **press** and **hold button** until LED flashes one time rapidly, showing end of OPTION programming.

* = Default

MODE 7 =	*OPTION 1: Vehicle with alarm (Default)	OPTION 2: Vehicle without alarm
MODE 8 =	*OPTION 1: No reset (Default)	OPTION 2: Complete reset of option and module