



PLATFORM: XK05 FIRMWARE: PKT2

UPGRADEABLE TRANSPONDER
DATA OVERRIDE

Downloadable Firmware for Platform

XK05: PKT2, PKG3, PKH1, PKH2, PKH3, PKH4, PKHY, PKM2, PKN2

INSTALLATION GUIDE

PRODUCT DESCRIPTION


XK05 is an upgradeable data immobilizer override module covering more makes, models and years of vehicles than any other data transponder bypass kit on the market. Platform#05 has evolved to include more upgradeable firmware solutions covering more vehicles than any other data transponder override on the market. The upgradeable vehicle specific firmwares are available free of charge and can be downloaded whenever required. Trust Platform #05 to provide the exact vehicle solution you need when you need it.

PRODUCT FEATURES

- Wire to Wire compatible with any type of remote car starter (W2W)
- Secure single-wire data transfer prevents analog override activation
- Compatible with manufacturer's anti-theft & content theft security systems
- Maintains integrity of manufacturer's anti-theft immobilizer system
- Maintains integrity of manufacturer's security and convenience functions
- Compact design, easy to mount
- No Key Required for operation (NKR)
- Simple 2 step programming
- All temperature operation
- High security single-wire data transfer

PRIMARY PRODUCT FUNCTIONS

Override OEM Transponder Immobilizer Via Data. (No Key Required). Interfaces directly with the latest model ignition immobilizer systems to provide seamless, safe and secure system integration for the purpose of adding aftermarket remote starting. Dependable in all weather conditions, Platform#05 Upgradeable Vehicle Interface is the best option when reliable & secure remote starting is your goal.



Update Alert: Firmware updates are posted to the web on a regular basis. We recommend you check for firmware and/or install guide updates prior to installation of this product.

† Lexus, Toyota and Scion are registered trademarks and property of their respective companies.

INDEX

Vehicle compatibility chart.....	www.xpresskit.com
Reference Chart	02
Installation diagram	03
Warranty.....	04

TECHNICAL SUPPORT / INFORMATION

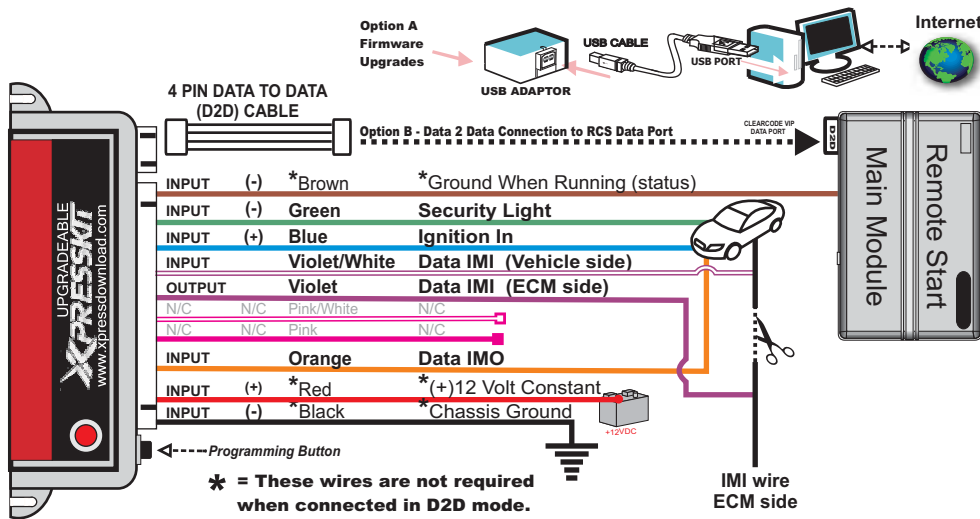


web resources:
www.xpresskit.com
www.xpressvip.com
www.directechs.com



Vehicle Wiring Reference Chart

Vehicle	Years	Pin	Data IMO	Pin	Data IMI	Wire Location	Pn	Security Light Wire*	Security Light Wire Location
To yota									
4runner	2003-2004	26	Blue/Red	27	White/Red	2nd plug from bottom at ECM behind glove box		Purple/White	Behind security light
4runner	2005-2009	15	Blue/Red	16	White/Red	2nd plug from bottom at ECM behind glove box		Purple/White	Behind security light
4runner	2010	20	Lt. Blue	14	White	Behind glove box, white 36-pin plug (2nd from	5	Blue	Behind security light, black 7-pin plug
Avalon	2005-2007	15	Blue	16	Brown	2nd plug from top at ECM behind glove box	18	Yellow	Behind instrument cluster, 24-pin plug
Avalon	2008-2010	10	Green or Blue	11	Tan or Brown	Behind glove box, white 18-pin plug	18	Yellow	Behind instrument cluster, white 24-pin plug
Avalon	2011	11	Green or Blue	12	Tan or Brown	Behind glove box, white 18-pin plug	8	Yellow	At A/C control assembly, white 16-pin plug
Camry (4 Cyl)	2005-2006	15	Blue/Black	16	Red/Blue	Behind glove box		Purple	Behind security light
Camry (V6)	2005-2006	26	Blue/Black	27	Red/Blue	Behind glove box		Purple	Behind security light
Camry	2007-2008		Green		Blue	High under driver side dash above accelerator		Yellow	Behind security light
Camry	2009-2011	13	Green or Blue	7	Blue or Yello w	Behind glove box, white 20-pin plug	8	Yellow	Behind clock, white 20-pin plug
Corolla	2005-2008	26	Black	27	White	2nd plug from left at ECM behind glove box		Red/White	Behind security light
Corolla	2009-2010	21	Lt. Green or Lt.Green/Black	19	Pink	Behind fuse box, gray 22-pin plug	1	Yellow	Behind security light, gray 22-pin plug
FJ Cruiser	2008-2009	15	Blue/Orange	16	White/Red	Behind glove box, white 35-pin plug	15	Purple/White	At A/C control assembly, white 20-pin plug
FJ Cruiser	2010	20	Blue/Orange	14	Blue/Yellow	Behind glove box, white 36-pin plug (2nd from	15	Purple/White	At A/C control assembly, white 20-pin plug
Highlander Hybrid	2006-2007	28	Purple	22	Orange	Behind glove box at HVC ECU		Black	Behind security light
Highlander Hybrid	2008-2010	28	Brown	22	Blue	Behind glove box, black 31-pin plug	2	Lt. Green	Behind security light, black 10-pin plug
Highlander	2006-2007	26	Purple	27	Black	2nd plug from top at ECM behind glove box		Black	Behind security light
Highlander (4 Cyl)	2008-2010	32	Brown	31	Blue	Behind glove box, white 36-pin plug	2	Lt. Green	Behind security light, black 10-pin plug
Highlander (6 Cyl)	2008-2010	15	Brown	16	Blue	Behind glove box, white 35-pin plug	2	Lt. Green	Behind security light, black 10-pin plug
Land Cruiser	2003-2005	26	Yellow	27	White	2nd plug from bottom at ECM behind glove box	27	Green/Red	Passenger-side fuse box, gray 42-pin plug
Land Cruiser	2006-2007	15	Yellow	16	White	2nd plug from bottom at ECM behind glove box	27	Green/Red	Passenger-side fuse box, gray 42-pin plug
Land Cruiser	2008-2010	27	White or White/Red	28	Red or Red/Green	Behind glove box, white 78-pin plug	9	Purple	Behind clock, white 12-pin plug
Matrix	2005-2008	26	Black	27	White	2nd plug from left at ECM behind glove box		Red/White	Behind security light
Matrix/Vibe	2009-2010	21	Lt.Green or Lt.Green/Black	19	Pink	Behind fuse box, gray 22-pin plug	1	Yellow	Behind security light, black 7-pin plug
Rav4	2004-2005	26	Red	27	Red/Green	2nd plug from bottom at ECM behind glove box		Green/Red	Behind security light
Rav4	2006-2010	19	Lt. Green	8	Pink	Behind fuse box, white 20-pin plug	8	yellow	Behind security light, white 10-pin plug
Sequoia	2003-2004	26	Blue/Yellow	27	Pink/Green	2nd plug from right at ECM behind glove box	12	Lt. Green/Black	Behind instrument cluster, black 20-pin plug
Sequoia	2005-2007	15	Blue/Yellow	16	Pink/Green	2nd plug from right at ECM behind glove box	16	Lt. Green/Black	Behind instrument cluster, 40-pin plug
Sequoia	2008-2010	15	Pink or Lt. Blue	14	Black or Yellow	Passenger kick panel, white 22-pin plug	17	Purple	Behind accessory meter assembly, white 24-pin plug
Sienna	2004-2006	26	Brown/White	27	Brown/Red	2nd plug from top at ECM behind glove box	24	Black	Body ECU attached to back of fuse box, 26-pin plug
Sienna	2007-2008	15	Brown/White	16	Brown/Red	Behind glove box, white 35-pin plug	24	Black	Body ECU attached to back of fuse box, 26-pin plug
Sienna	2009-2010	15	Brown/White	16	Brown/Red	Behind glove box, white 35-pin plug	4	Black	Behind instrument cluster, white 40-pin plug
Sienna	2011	16	Green	17	Purple	Left of steering column, white 20-pin plug	35	Black	Behind dash fuse box, white 40-pin plug
Tacoma (4 cyl)	2005-2010	15	Lt. Green/Black	16	Blue/White	Behind glove box, white 35-pin plug	6	Purple/White	Behind security light, white 14-pin plug
Tacoma (6 cyl)	2005-2010	20	Lt. Green/Black	14	Blue/White	Behind glove box, black 36-pin plug	6	Purple/White	Behind security light, white 14-pin plug
Tundra	2006	15	Pink	16	White/Green	2nd plug from right at ECM behind glove box	17	Black/Orange	Behind instrument cluster, 40-pin plug
Tundra	2007-2010	15	Pink or Lt. Blue	14	Black or Yellow	Passenger kick panel, white 22-pin plug	17	Purple	Behind accessory meter assembly, white 24-pin plug
Venza	2009-2010	2	Brown	3	Green	Passenger kick panel, white 18-pin plug	14	Yellow	Behind security light, white 24-pin plug
Yaris	2009-2010	17	Tan or Orange	8	White	Behind fuse box, gray 18-pin plug	2	Lt. Green	Behind security light, black 6-pin plug
Lexus									
ES330	2004-2006	26	Blue/Yellow	27	Red/Blue	2nd plug from top at ECM behind glove box	10	Purple	Behind accessory meter assembly, 16-pin plug
GX470	2003-2004	26	Blue/Red	27	White/Red	Behind glove box, white 35-pin plug	20	Purple/White	Behind instrument cluster, white 20-pin plug
GX470	2005-2009	15	Blue/Red	16	White/Red	Behind glove box, white 35-pin plug	20	Purple/White	Behind instrument cluster, white 20-pin plug
IS250	2006-2010	15	White or White/Red	14	Pink or Lt. Green	Driver kick panel, white 60-pin plug	24	Lt. Green	Body ECU attached to back of fuse box, 26-pin plug
IS350	2006-2010	15	White or White/Red	14	Pink or Lt. Green	Driver kick panel, white 60-pin plug	24	Lt. Green	Body ECU attached to back of fuse box, 26-pin plug
LS430	2001-2003	23	Gray/Red	24	Gray/Green	2nd plug from rear at ECM driver side front corner of engine compartment		Red	Behind security light
LS430	2004-2006	7	Gray/Red	6	Gray/Green	2nd plug from rear at ECM driver side front corner of engine compartment		Red	Behind security light
LX470	2003-2005	26	Yellow	27	White	2nd plug from bottom at ECM behind glove box	12	Green/Red	Behind passenger fuse box, white 42-pin plug
LX470	2006-2007	15	Yellow	16	White	2nd plug from bottom at ECM behind glove box	12	Green/Red	Behind passenger fuse box, white 42-pin plug
LX570	2008-2010	27	White or White/Red	28	Red or Red/Green	Behind glove box, white 78-pin plug	4	Purple	Behind instrument cluster, white 40-pin plug
RX330	2004-2006	26	Blue	27	Gray	2nd plug from top at ECM behind glove box		Pink	Behind security light
RX400H	2006-2008	28	Blue	22	Gray	Behind glove box at HVC ECU	24	Pink or White	Body ECU attached to back of fuse box, 26-pin plug
RX350	2007-2009	15	Blue	16	Gray	2nd plug from top at ECM behind glove box	24	Pink or White	Body ECU attached to back of fuse box, 26-pin plug
RX350	2010	13	Red or Lt. Green	3	Pink	Driver kick panel, white 18-pin plug	35	Brown	Behind fuse box, white 40-pin plug
SC430	2002-2005	23	White/Blue	24	Black/Red	2nd plug from front at ECM driver side front corner of engine compartment		Black	Behind security light
SC430	2006	7	White/Blue	6	Black/Red	2nd plug from front at ECM driver side front corner of engine compartment		Black	Behind security light
SC430	2007-2010	13	Lt. Green or White/Blue	14	Blue or Black/Red	Driver kick panel, white 18-pin plug		Black	Behind security light



SECURITY LIGHT WIRE: The connection of this wire is not mandatory to the operation of the module. This wire should only be connected if the security light in vehicle is flashing once the vehicle has been started by key after remote start. (key take-over)

IF SECURITY LIGHT STAYS ON:

Once you've remote started the car, security light will turn off only with key in ignition switch and brakes applied. (Remote starter off)

TAKE OVER FOR PUSH-TO-START VEHICLE
When you enter in the vehicle after the engine was remotely started, press twice on the Push-To-Start button before pressing on the brake pedal.

Push-to-Start Module Programming

- 1 Connect module to the 10-pin harness and 4-pin D2D (if installed in D2D mode).
- 2 When all connections are correctly done, step on the brake pedal and press on the Push-to-Start button to start the vehicle. The red LED will turn ON to indicate the module is in learning mode.
- 3 The red LED shuts OFF when programming is completed. If the red LED does not turn OFF, check all wiring and reset the module. Then, repeat steps 1 & 2.

Module Programming with key

- 1 Connect module to the 10-pin harness and 4-pin D2D (if installed in D2D mode).
- 2 Insert a valid key into the ignition switch and turn it to IGN.
- 3 The red LED of the module comes ON solid.
- 4 Start the vehicle.
- 5 When the LED turns OFF, the module is programmed. If LED does not turn OFF, check all wiring and reset the module. Then, repeat steps 1 to 5.

Resetting the Module

- 1 Disconnect the module from any power source.
- 2 Press and HOLD the Integrated Programming Button (IPB). While holding the button, connect the module to the power source.
- 3 Wait until the red LED flashes once and release the Integrated Programming Button (IPB).

LIMITED ONE-YEAR CONSUMER WARRANTY

For a period of ONE YEAR from the date of purchase of a Directed Electronics remote start or security product, Directed Electronics. ("DIRECTED") promises to the original purchaser, to repair or replace with a comparable reconditioned piece, the security or remote start accessory piece (hereinafter the "Part"), which proves to be defective in workmanship or material under normal use, provided the following conditions are met: the Part was purchased from an authorized DIRECTED dealer; and the Part is returned to DIRECTED, postage prepaid, along with a clear, legible copy of the receipt or bill of sale bearing the following information: consumer's name, address, telephone number, the authorized licensed dealer's name and complete product and Part description.

This warranty is nontransferable and is automatically void if the Part has been modified or used in a manner contrary to its intended purpose or the Part has been damaged by accident, unreasonable use, neglect, improper service, installation or other causes not arising out of defect in materials or construction.

TO THE MAXIMUM EXTENT ALLOWED BY LAW, ALL WARRANTIES, INCLUDING BUT NOT LIMITED TO EXPRESS WARRANTY, IMPLIED WARRANTY, WARRANTY OF MERCHANTABILITY, FITNESS FOR PARTICULAR PURPOSE AND WARRANTY OF NON INFRINGEMENT OF INTELLECTUAL PROPERTY, ARE EXPRESSLY EXCLUDED; AND DIRECTED NEITHER ASSUMES NOR AUTHORIZES ANY PERSON OR ENTITY TO ASSUME FOR IT ANY DUTY, OBLIGATION OR LIABILITY IN CONNECTION WITH ITS PRODUCTS. DIRECTED HEREBY DISCLAIMS AND HAS ABSOLUTELY NO LIABILITY FOR ANY AND ALL ACTS OF THIRD PARTIES INCLUDING DEALERS OR INSTALLERS. IN THE EVENT OF A CLAIM OR A DISPUTE INVOLVING DIRECTED OR ITS SUBSIDIARY, THE PROPER VENUE SHALL BE SAN DIEGO COUNTY IN THE STATE OF CALIFORNIA. CALIFORNIA STATE LAWS AND APPLICABLE FEDERAL LAWS SHALL APPLY AND GOVERN THE DISPUTE. THE MAXIMUM RECOVERY UNDER ANY CLAIM AGAINST DIRECTED SHALL BE STRICTLY LIMITED TO THE AUTHORIZED DIRECTED DEALER'S PURCHASE PRICE OF THE PART. DIRECTED SHALL NOT BE RESPONSIBLE FOR ANY DAMAGES WHATSOEVER, INCLUDING BUT NOT LIMITED TO, ANY CONSEQUENTIAL DAMAGES, INCIDENTAL DAMAGES, DAMAGES FOR THE LOSS OF TIME, LOSS OF EARNINGS, COMMERCIAL LOSS, LOSS OF ECONOMIC OPPORTUNITY AND THE LIKE. NOTWITHSTANDING THE ABOVE, THE MANUFACTURER DOES OFFER A LIMITED WARRANTY TO REPLACE OR REPAIR AT DIRECTED'S OPTION THE PART AS DESCRIBED ABOVE.

Some states do not allow limitations on how long an implied warranty will last or the exclusion or limitation of incidental or consequential damages. This warranty gives you specific legal rights and you may also have other rights that vary from State to State. DIRECTED does not and has not authorized any person or entity to create for it any other obligation, promise, duty or obligation in connection with this Part.920-0007 07-06

This Interface kit / Data Bus Interface part has been tested on the listed vehicles. Other vehicles will be added to the select vehicle list upon completion of compatibility testing. Visit website for latest vehicle application guide. **DISCLAIMER:** Under no circumstances shall the manufacturer or the distributors of the bypass kit / data bus interface part(s) be held liable for any consequential damages sustained in connection with the part(s) installation. The manufacturer and its distributors will not, nor will they authorize any representative or any other individual to assume obligation or liability in relation to the interface kit / data bus interface part(s) other than its replacement. N.B.: Under no circumstances shall the manufacturer and distributors of this product be liable for consequential damages sustained in connection with this product and neither assumes nor authorizes any representative or other person to assume for it any obligation or liability other than the replacement of this product only.

PROTECTED BY U.S. PATENTS: 5,719,551; 6,011,460 B1*; 6,243,004 B1; 6,249,216 B1; 6,275,147 B1; 6,297,731 B1; 6,346,876 B1; 6,392,534 B1; 6,529,124 B2; 6,696,927 B2; 6,756,885 B1; 6,756,886 B2; 6,771,167 B1; 6,812,829 B1; 6,924,750 B1; 7,010,402 B1; 7,015,830 B1; 7,031,826 B1; 7,046,126 B1; 7,061,137 B1; 7,068,153 B1; 7,205,679 B1; **Cdn. PATENT:** 2,320,248; 2,414,991; 2,415,011; 2,415,023; 2,415,027; 2,415,038; 2,415,041; 2,420,947; 2,426,670; 2,454,089
EUROPEAN PATENT: 1,053,128 **PAT. PENDING:** 2,291,306; **MADE IN CANADA**